



# READ THIS NOW

**PQS 302 Unpacking Instructions**

## 1. UNPACKING YOUR LOUDSPEAKERS

**NOTE:** The customer should not attempt to assemble the loudspeakers. This will be done by the supplying audio dealer.

The crates and their contents are heavy. To avoid injury, please ensure that 2 people are available to unpack and position the loudspeakers.

The DDD drivers may be protected with clear film or cardboard covers. We recommend that these be left in place until the loudspeakers have been placed in their final location, so as to guard against accidental damage during handling.

The PQS-302 is supplied in 3 crates. Before opening them, please inspect them for damage. If you see any damage to the crates, please contact the supplying audio dealer immediately and provide them with a full description of the damage. Do not attempt to unpack the loudspeakers until you have spoken with the dealer and have been advised how to proceed.

The woofer module assemblies for the left and right channels are packed in separate crates. These are marked "left" and "right" on the outside. Take care not to mix components from these two crates up. The two DDD towers are packed together in the third crate.

Please retain all of the packing as you will need this should it be necessary in the future to ship the loudspeakers. Should you need to return the loudspeakers to the factory, you must use the original packing. The use of any other packing may result in the loudspeakers sustaining damage in transit. Such damage is not covered by the warranty. Should you require replacement packing, please contact your German Physiks dealer, the national distributor or the factory directly.

Use Figure 1 to identify the major components of the loudspeaker and confirm that the crates contain the following items:

Item	Quantity	Description
1	2	Bottom Plates
2	2	Lower Modules
3	2	Distance Frames
4	2	Upper Modules
5	2	Top Plates
6	2	DDD Towers
7	16	Inter-Cabinet Connecting Cables
8	1	User Manual
9	4	Cleaning Cloths

If any items are missing, or show signs of damage, please contact the supplying audio dealer immediately.

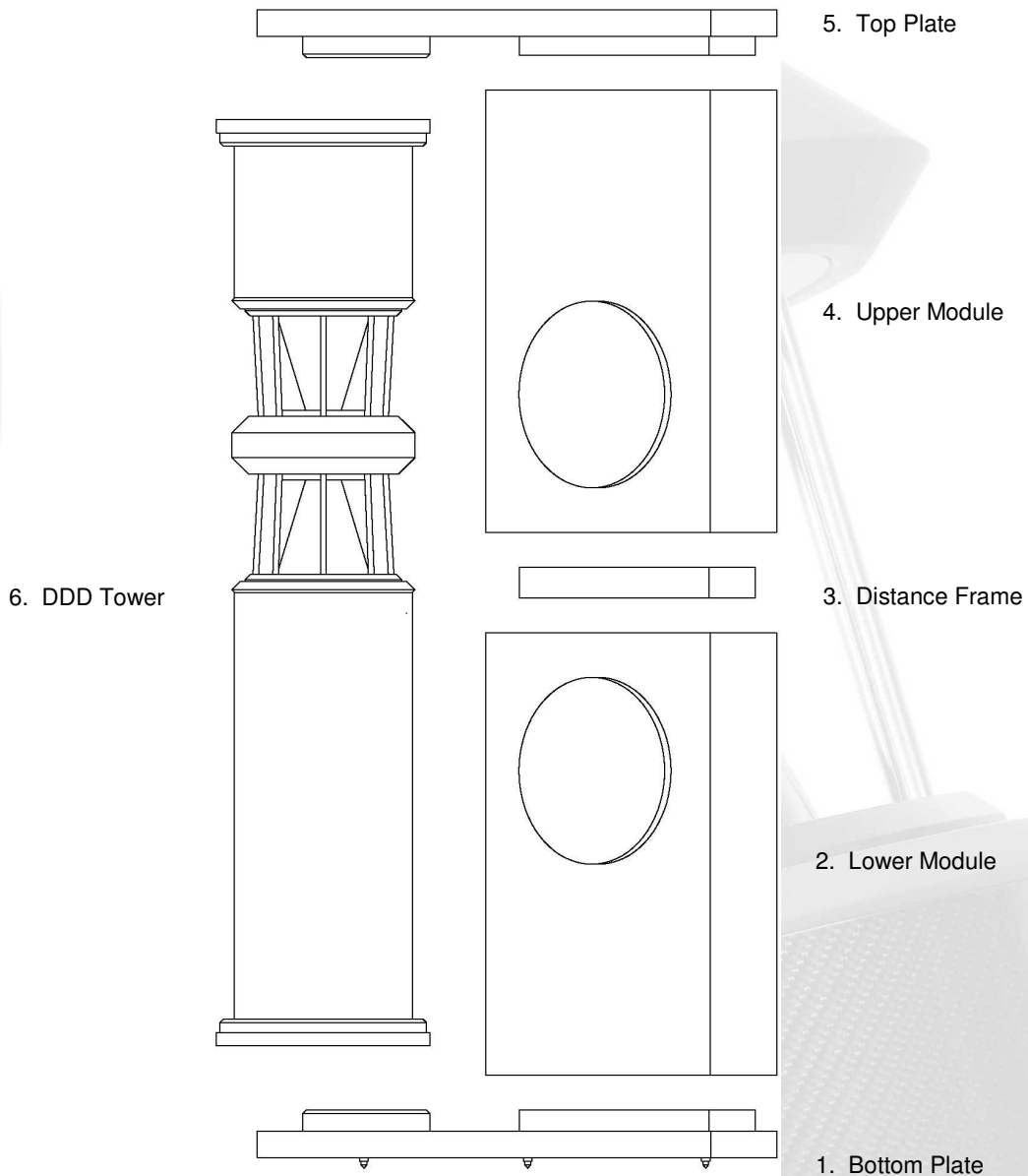


Figure 1. PQS-302 Major Components